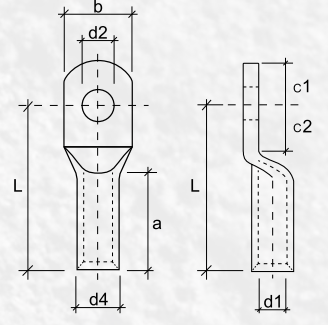




# AKP-DY

ALÜMİNYUM KABLO PABUCU  
OKSİT KORUMA YAĞLI DIN 46329  
ALUMINIUM CABLE LUGS  
WITH OXIDE PROTECTION OIL DIN 46329



5846 sayılı yasa gereği fotoğrafların izinsiz yayınlanması ve kullanılması kesinlikle yasaktır.

ÜRÜN KODU ORDER CODE	KABLO KESİTİ CABLE SECTION (mm)	CİVATA DELİĞİ BOLT	BOYUTLAR DIMENSIONS										KUTU ADEDİ BOX PCS.	KUTU AĞIRLIĞI BOX WEIGHT	KOLİ ADEDİ PARCEL PCS.	KOLİ AĞIRLIĞI BOX WEIGHT	BİRİM FİYATI UNITPRICE TL
			d1	d4	a	d2	b	c1	c2	L	L+c1						
AKP-DY/016-M08/SD	<b>16</b>	M8	5,8	12,0	34,0	8,5	18,0	10,0	11,5	52,0	62,0	100	~1,3 kg.	1.000	~13,0 kg.	<b>18,25</b>	
AKP-DY/016-M10		M10	5,8	12,0	34,0	10,5	18,0	10,0	11,5	52,0	62,0	100	~1,3 kg.	1.000	~13,0 kg.	18,25	
AKP-DY/025-M08/SD	<b>25</b>	M8	6,8	12,0	40,0	8,5	18,0	10,0	11,5	60,0	70,0	80	~1,1 kg.	800	~11,0 kg.	<b>21,00</b>	
AKP-DY/025-M10		M10	6,8	12,0	40,0	10,5	19,0	12,0	12,0	60,0	72,0	80	~1,1 kg.	800	~11,0 kg.	21,00	
AKP-DY/025-M12		M12	6,8	12,0	40,0	13,0	21,0	13,0	13,0	60,0	73,0	80	~1,1 kg.	800	~11,0 kg.	21,00	
AKP-DY/035-M08	<b>35</b>	M8	8,0	14,0	43,0	8,5	21,0	11,5	14,0	67,0	78,5	60	~1,3 kg.	600	~13,0 kg.	25,75	
AKP-DY/035-M10/SD		M10	8,0	14,0	43,0	10,5	21,0	11,5	14,0	67,0	78,5	60	~1,3 kg.	600	~13,0 kg.	<b>25,75</b>	
AKP-DY/035-M12		M12	8,0	14,0	43,0	13,0	21,0	11,5	14,0	67,0	78,5	60	~1,3 kg.	600	~13,0 kg.	25,75	
AKP-DY/050-M10/SD	<b>50</b>	M10	9,8	16,0	46,0	10,5	25,0	14,0	15,0	72,0	86,0	40	~1,4 kg.	400	~14,0 kg.	<b>35,75</b>	
AKP-DY/050-M12		M12	9,8	16,0	46,0	13,0	25,0	14,0	15,0	72,0	86,0	40	~1,4 kg.	400	~14,0 kg.	35,75	
AKP-DY/070-M10/SD	<b>70</b>	M10	11,2	18,5	54,0	10,5	28,0	15,0	17,5	86,0	101,0	25	~1,4 kg.	250	~14,0 kg.	<b>54,25</b>	
AKP-DY/070-M12		M12	11,2	18,5	54,0	13,0	28,0	15,0	17,5	86,0	101,0	25	~1,4 kg.	250	~14,0 kg.	54,25	
AKP-DY/095-M10	<b>95</b>	M10	13,2	22,0	59,0	10,5	32,0	15,5	17,5	90,0	105,5	15	~1,0 kg.	150	~10,0 kg.	74,50	
AKP-DY/095-M12/SD		M12	13,2	22,0	59,0	13,0	32,0	15,5	17,5	90,0	105,5	15	~1,0 kg.	150	~10,0 kg.	<b>74,50</b>	
AKP-DY/095-M16		M16	13,2	22,0	59,0	17,0	34,0	15,5	17,5	90,0	105,5	15	~1,0 kg.	150	~10,0 kg.	74,50	
AKP-DY/120-M12/SD	<b>120</b>	M12	14,7	23,0	59,0	13,0	32,0	16,0	17,5	91,0	107,0	15	~0,9 kg.	150	~9,0 kg.	<b>86,50</b>	
AKP-DY/120-M16		M16	14,7	23,0	59,0	17,0	34,0	16,0	17,5	91,0	107,0	15	~0,9 kg.	150	~9,0 kg.	86,50	
AKP-DY/150-M12/SD	<b>150</b>	M12	16,3	25,0	62,0	13,0	35,0	17,5	20,0	103,0	120,5	12	~1,1 kg.	120	~11,0 kg.	<b>114,50</b>	
AKP-DY/150-M16		M16	16,3	25,0	62,0	17,0	35,0	17,5	20,0	103,0	120,5	12	~1,1 kg.	120	~11,0 kg.	114,50	
AKP-DY/150-M20		M20	16,3	25,0	62,0	21,0	41,0	17,5	20,0	103,0	120,5	12	~1,1 kg.	120	~11,0 kg.	114,50	
AKP-DY/185-M12	<b>185</b>	M12	18,3	28,5	63,0	13,0	40,0	19,0	20,0	106,0	125,0	8	~1,1 kg.	80	~11,0 kg.	158,50	
AKP-DY/185-M16/SD		M16	18,3	28,5	63,0	17,0	40,0	19,0	20,0	106,0	125,0	8	~1,1 kg.	80	~11,0 kg.	<b>158,50</b>	
AKP-DY/185-M20		M20	18,3	28,5	63,0	21,0	40,0	19,0	20,0	106,0	125,0	8	~1,1 kg.	80	~11,0 kg.	158,50	
AKP-DY/240-M12	<b>240</b>	M12	21,0	32,0	72,0	13,0	45,0	23,0	24,0	116,0	139,0	8	~1,4 kg.	80	~14,0 kg.	187,25	
AKP-DY/240-M16/SD		M16	21,0	32,0	72,0	17,0	45,0	23,0	24,0	116,0	139,0	8	~1,4 kg.	80	~14,0 kg.	<b>187,25</b>	
AKP-DY/240-M20		M20	21,0	32,0	72,0	21,0	45,0	23,0	24,0	116,0	139,0	8	~1,4 kg.	80	~14,0 kg.	187,25	
AKP-DY/300-M16/SD	<b>300</b>	M16	23,3	34,0	74,0	17,0	49,0	24,0	25,0	124,0	148,0	5	~1,2 kg.	50	~12,0 kg.	<b>274,00</b>	
AKP-DY/300-M20		M20	23,3	34,0	74,0	21,0	49,0	24,0	25,0	124,0	148,0	5	~1,2 kg.	50	~12,0 kg.	274,00	
AKP-DY/400-M16/SD	<b>400</b>	M16	26,0	38,5	105,0	17,0	58,0	30,0	32,0	166,0	196,0	10	~3,3 kg.	20	~33,0 kg.	<b>483,25</b>	
AKP-DY/400-M20		M20	26,0	38,5	105,0	21,0	58,0	30,0	32,0	166,0	196,0	10	~3,3 kg.	20	~33,0 kg.	483,25	

## AKP-DY ÖZELLİKLERİ

HAMMADDE MATERIAL	ELEKTROLİTİK ALÜMİNYUM ELECTROLYTIC ALUMINIUM
KAPLAMA COATING	DOĞAL PARLAK NATURAL BRIGHT
BAĞLANTI JOINT	SIKMA CLAMP COUPLING
DIN NORMU 46329'A UYGUNDUR CONFORMED TO DIN 46329	

BU TABLODA KOYU YAZI KARAKTERİ İLE BELİRTİLMİŞ OLAN KABLO PABUÇLARI STANDART ÜRETİMİMİZDİR.  
THE CABLE LUGS WHICH ARE INDICATED IN BOLD FONT, ARE STANDART PRODUCTS OF **Simpa**

