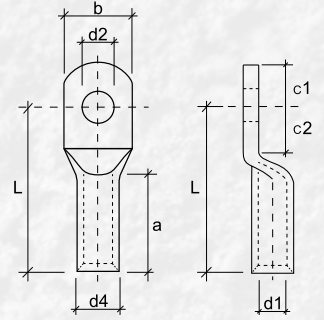




AKP-D

ALÜMİNYUM KABLO PABUCU DIN 46329
DIN 46329 TYPE ALUMINIUM CABLE LUGS



5846 sayılı yasa gereği fotoğrafların izinsiz yayınlanması ve kullanılması kesinlikle yasaktır.

ÜRÜN KODU ORDER CODE	KABLO KESİTİ CABLE SECTION (mm)	CİVATA DELİĞİ BOLT	BOYUTLAR DIMENSIONS										KUTU ADEĐİ BOX PCS.	KUTU AĞIRLIĞI BOX WEIGHT	KOLİ ADEĐİ PARCEL PCS.	KOLİ AĞIRLIĞI BOX WEIGHT	BİRİM FİYATI UNITPRICE TL
			d1	d4	a	d2	b	c1	c2	L	L+c1						
AKP-D/016-M08/SD	16	M8	5,8	12,0	34,0	8,5	18,0	10,0	11,5	52,0	62,0	100	~1,3 kg.	1.000	~13,0 kg.	14,25	
AKP-D/016-M10		M10	5,8	12,0	34,0	10,5	18,0	10,0	11,5	52,0	62,0	100	~1,3 kg.	1.000	~13,0 kg.	14,25	
AKP-D/025-M08/SD	25	M8	6,8	12,0	40,0	8,5	18,0	10,0	11,5	60,0	70,0	80	~1,1 kg.	800	~11,0 kg.	17,50	
AKP-D/025-M10		M10	6,8	12,0	40,0	10,5	19,0	12,0	12,0	60,0	72,0	80	~1,1 kg.	800	~11,0 kg.	17,50	
AKP-D/025-M12		M12	6,8	12,0	40,0	13,0	21,0	13,0	13,0	60,0	73,0	80	~1,1 kg.	800	~11,0 kg.	17,50	
AKP-D/035-M08	35	M8	8,0	14,0	43,0	8,5	21,0	11,5	14,0	67,0	78,5	60	~1,3 kg.	600	~13,0 kg.	23,75	
AKP-D/035-M10/SD		M10	8,0	14,0	43,0	10,5	21,0	11,5	14,0	67,0	78,5	60	~1,3 kg.	600	~13,0 kg.	22,00	
AKP-D/035-M12		M12	8,0	14,0	43,0	13,0	21,0	11,5	14,0	67,0	78,5	60	~1,2 kg.	600	~12,0 kg.	22,00	
AKP-D/035-M14		M14	8,0	14,0	43,0	15,0	21,0	12,0	16,0	69,0	81,0	60	~1,3 kg.	600	~13,0 kg.	30,00	
AKP-D/050-M10/SD	50	M10	9,8	16,0	46,0	10,5	25,0	14,0	15,0	72,0	86,0	40	~1,1 kg.	400	~11,0 kg.	31,00	
AKP-D/050-M12		M12	9,8	16,0	46,0	13,0	25,0	14,0	15,0	72,0	86,0	40	~1,1 kg.	400	~11,0 kg.	31,00	
AKP-D/070-M10/SD	70	M10	11,2	18,5	54,0	10,5	28,0	15,0	17,5	86,0	101,0	25	~1,4 kg.	250	~14,0 kg.	48,00	
AKP-D/070-M12		M12	11,2	18,5	54,0	13,0	28,0	15,0	17,5	86,0	101,0	25	~1,1 kg.	250	~11,0 kg.	48,00	
AKP-D/095-M10	95	M10	13,2	22,0	59,0	10,5	32,0	15,5	17,5	90,0	105,5	15	~1,0 kg.	150	~10,0 kg.	67,50	
AKP-D/095-M12/SD		M12	13,2	22,0	59,0	13,0	32,0	15,5	17,5	90,0	105,5	15	~1,0 kg.	150	~10,0 kg.	67,50	
AKP-D/095-M16		M16	13,2	22,0	59,0	17,0	34,0	15,5	17,5	90,0	105,5	15	~1,0 kg.	150	~10,0 kg.	67,50	
AKP-D/120-M12/SD	120	M12	14,7	23,0	59,0	13,0	32,0	16,0	17,5	91,0	107,0	15	~1,0 kg.	150	~10,0 kg.	78,50	
AKP-D/120-M16		M16	14,7	23,0	59,0	17,0	34,0	16,0	17,5	91,0	107,0	15	~1,3 kg.	150	~13,0 kg.	78,50	
AKP-D/150-M12/SD	150	M12	16,3	25,0	62,0	13,0	35,0	17,5	20,0	103,0	120,5	12	~1,1 kg.	120	~11,0 kg.	105,00	
AKP-D/150-M16		M16	16,3	25,0	62,0	17,0	35,0	17,5	20,0	103,0	120,5	12	~1,1 kg.	120	~11,0 kg.	105,00	
AKP-D/150-M20		M20	16,3	25,0	62,0	21,0	41,0	17,5	20,0	103,0	120,5	12	~1,1 kg.	120	~11,0 kg.	105,00	
AKP-D/185-M12	185	M12	18,3	28,5	63,0	13,0	40,0	19,0	20,0	106,0	125,0	8	~1,0 kg.	80	~10,0 kg.	145,00	
AKP-D/185-M16/SD		M16	18,3	28,5	63,0	17,0	40,0	19,0	20,0	106,0	125,0	8	~1,0 kg.	80	~10,0 kg.	145,00	
AKP-D/185-M20		M20	18,3	28,5	63,0	21,0	40,0	19,0	20,0	106,0	125,0	8	~1,1 kg.	80	~11,0 kg.	145,00	
AKP-D/240-M12	240	M12	21,0	32,0	72,0	13,0	45,0	23,0	24,0	116,0	139,0	8	~1,4 kg.	80	~14,0 kg.	175,00	
AKP-D/240-M16/SD		M16	21,0	32,0	72,0	17,0	45,0	23,0	24,0	116,0	139,0	8	~1,4 kg.	80	~14,0 kg.	175,00	
AKP-D/240-M20		M20	21,0	32,0	72,0	21,0	45,0	23,0	24,0	116,0	139,0	8	~1,4 kg.	80	~14,0 kg.	175,00	
AKP-D/300-M16/SD	300	M16	23,3	34,0	74,0	17,0	49,0	24,0	25,0	124,0	148,0	5	~1,0 kg.	50	~10,0 kg.	242,00	
AKP-D/300-M20		M20	23,3	34,0	74,0	21,0	49,0	24,0	25,0	124,0	148,0	5	~1,0 kg.	50	~10,0 kg.	242,00	
AKP-D/400-M16/SD	400	M16	26,0	38,5	105,0	17,0	58,0	30,0	32,0	166,0	196,0	10	~3,3 kg.	20	~33,0 kg.	456,00	
AKP-D/400-M20		M20	26,0	38,5	105,0	21,0	58,0	30,0	32,0	166,0	196,0	10	~3,3 kg.	20	~33,0 kg.	456,00	

AKP-D ÖZELLİKLERİ

HAMMADE	ELEKTROLİTİK ALÜMİNYUM
METERIAL	ELECTROLYTIC ALUMINIUM
KAPLAMA	DOĞAL PARLAK
COATING	NATURAL BRIGHT
BAĞLANTI	SIKMA
JOINT	CLAMP COUPLING
DIN NORMU 46329'A UYGUNDUR	
CONFORMED TO DIN 46329	

BU TABLODA KOYU YAZI KARAKTERİ İLE BELİRTİLMİŞ OLAN KABLO PABUÇLARI STANDART ÜRETİMİMİZDİR.
THE CABLE LUGS WHICH ARE INDICATED IN BOLD FONT, ARE STANDART PRODUCTS OF **Simpa**

