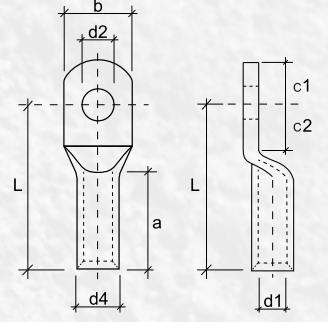




SKP-E

EKONOMİK TİP SIKMALI KABLO PABUCU
ECONOMIC TYPE TUBULAR CABLE LUGS
 (TAM BOYLARI STANDART TİP KABLO PABUÇLARI ÖLÇÜSÜNDEDİR)



5846 sayılı yasa gereği fotoğrafların izinsiz yayınlanması ve kullanılması kesinlikle yasaktır.

ÜRÜN KODU ORDER CODE	KABLO KESİTİ CABLE SECTION (mm)	CİVATA DELİĞİ BOLT	BOYUTLAR DIMENSIONS								KUTU ADEDİ BOX PCS.	KUTU AĞIRLIĞI BOX WEIGHT	KOLİ ADEDİ PARCEL PCS.	KOLİ AĞIRLIĞI BOX WEIGHT	BİRİM FİYATI UNIT PRICE TL
			d1	d4	a	d2	b	c1	c2	L					
SKP-E/016-M05	16	M5	5,5	7,0	12,5	5,5	10,5	7,5	7,5	24,0	500	~2,0 kg.	5.000	~20 kg.	8,25
SKP-E/016-M06/SD		M6	5,5	7,0	12,5	6,5	10,5	7,5	7,5	24,0	500	~2,0 kg.	5.000	~20 kg.	7,50
SKP-E/025-M05	25	M5	7,0	9,0	17,5	5,5	14,0	8,5	8,5	30,5	300	~2,4 kg.	3.000	~24 kg.	16,50
SKP-E/025-M06		M6	7,0	9,0	17,5	6,5	14,0	8,5	8,5	30,5	300	~2,4 kg.	3.000	~24 kg.	16,50
SKP-E/025-M08/SD	M8	7,0	9,0	17,5	8,5	14,0	8,5	8,5	30,5	300	~2,4 kg.	3.000	~24 kg.	15,75	
SKP-E/035-M06	35	M6	8,5	10,5	18,5	6,5	16,0	9,5	9,5	34,0	200	~2,2 kg.	2.000	~22 kg.	25,75
SKP-E/035-M08/SD		M8	8,5	10,5	18,5	8,5	16,0	9,5	9,5	34,0	200	~2,2 kg.	2.000	~22 kg.	24,75
SKP-E/050-M06	50	M6	10,0	12,0	20,0	6,5	18,0	11,0	11,0	39,5	125	~1,8 kg.	1.250	~18 kg.	29,75
SKP-E/050-M08		M8	10,0	12,0	20,0	8,5	18,0	11,0	11,0	39,5	125	~1,9 kg.	1.250	~19 kg.	29,75
SKP-E/050-M10/SD	M10	10,0	12,0	20,0	10,5	18,0	11,0	11,0	39,5	125	~1,8 kg.	1.250	~18 kg.	28,50	
SKP-E/070-M06	70	M6	11,5	14,0	22,0	6,5	21,0	11,0	11,0	42,0	80	~1,7 kg.	800	~17 kg.	45,75
SKP-E/070-M08		M8	11,5	14,0	22,0	8,5	21,0	11,0	11,0	42,0	80	~1,7 kg.	800	~17 kg.	45,75
SKP-E/070-M10/SD	M10	11,5	14,0	22,0	10,5	21,0	11,0	11,0	42,0	80	~1,7 kg.	800	~17 kg.	44,75	
SKP-E/095-M08	95	M8	13,5	16,0	25,0	8,5	24,5	12,0	12,5	48,0	60	~1,8 kg.	600	~18 kg.	55,25
SKP-E/095-M10		M10	13,5	16,0	25,0	10,5	24,5	12,0	12,5	48,0	60	~1,9 kg.	600	~19 kg.	53,00
SKP-E/095-M12/SD	M12	13,5	16,0	25,0	13,0	24,5	12,0	12,5	48,0	60	~1,8 kg.	600	~18 kg.	53,00	
SKP-E/120-M08	120	M8	15,5	18,0	27,0	8,5	27,0	14,0	14,0	52,0	50	~1,8 kg.	500	~18 kg.	74,25
SKP-E/120-M10		M10	15,5	18,0	27,0	10,5	27,0	14,0	14,0	52,0	50	~1,8 kg.	500	~18 kg.	74,25
SKP-E/120-M12/SD	M12	15,5	18,0	27,0	13,0	27,0	14,0	14,0	52,0	50	~1,8 kg.	500	~18 kg.	71,25	
SKP-E/150-M08	150	M8	16,5	20,0	29,0	8,5	29,0	14,0	14,0	54,5	35	~2,0 kg.	350	~20 kg.	114,75
SKP-E/150-M10		M10	16,5	20,0	29,0	10,5	29,0	14,0	14,0	54,5	35	~2,0 kg.	350	~20 kg.	114,75
SKP-E/150-M12/SD	M12	16,5	20,0	29,0	13,0	29,0	14,0	14,0	54,5	35	~2,0 kg.	350	~20 kg.	110,75	
SKP-E/185-M10	185	M10	18,5	22,0	32,0	10,5	32,0	14,5	14,5	61,5	25	~1,8 kg.	250	~18 kg.	125,75
SKP-E/185-M12/SD		M12	18,5	22,0	32,0	13,0	32,0	14,5	14,5	61,5	25	~1,8 kg.	250	~18 kg.	121,75
SKP-E/185-M16	M16	18,5	22,0	32,0	16,5	32,0	14,5	14,5	61,5	25	~1,8 kg.	250	~18 kg.	121,75	
SKP-E/240-M10	240	M10	21,5	25,5	36,5	10,5	37,5	16,0	16,0	69,0	20	~2,2 kg.	200	~22 kg.	170,25
SKP-E/240-M12/SD		M12	21,5	25,5	36,5	13,0	37,5	16,0	16,0	69,0	20	~2,2 kg.	200	~22 kg.	170,25
SKP-E/240-M16	M16	21,5	25,5	36,5	16,5	37,5	16,0	16,0	69,0	20	~2,2 kg.	200	~22 kg.	170,25	

SKP-E ÖZELLİKLERİ

HAMMADDE	EN 13600 BAKIR BORU
METERYAL	ELECTROLYTIC COPPER CONFORMED TO EN 13600
KAPLAMA	KALAY
COATING	TIN PLATED
BAĞLANTI	SİKMA
JOINT	CLAMP COUPLING
BORU ET KALINLIĞI	ORTA
THICKNESS	MEDIUM
KABLO GİRİŞİ	NORMAL
CABLE ENTRY	STANDARD

BU TABLODA KOYU YAZI KARAKTERİ İLE BELİRTİLMİŞ OLAN KABLO PABUÇLARI STANDART ÜRETİMİZDİR.
 THE CABLE LUGS WHICH ARE INDICATED IN BOLD FONT, ARE STANDART PRODUCTS OF **Simpa**

