

# 5

## ALPHA Modular Distribution Boards

### General data

5/4

Introduction

### Unequipped distribution boards

5/5

Cabinet frames and supplementary components for side-by-side mounting

5/6

Supplementary components

### Assembly kits for unequipped distribution boards

5/7

Assembly kits for modular installation devices

5/8

Assembly kits for horizontal terminal blocks

5/9

Assembly kits for vertical terminal blocks

5/10

Assembly kits with mounting plates

5/11

Assembly kits for unequipped panels

5/12

Assembly kits for 3NP4 fuse switch disconnectors for support plate mounting

5/13

Assembly kits for 3NP4 fuse switch disconnectors for busbar mounting

5/14

Assembly kits for SENTRON VL circuit-breakers

5/15

Assembly kits for 3NJ4 in-line fuse switch disconnectors

5/16

Assembly kits for bus-mounting fuse bases for busbar system mounting

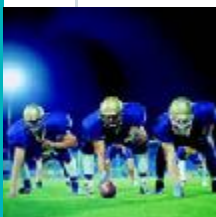
### Accessories


5/17

Unequipped distribution boards

5/18

Standard busbar supports for horizontal mounting





Set up for customized solutions.

**Developed according to the wishes of our customers**

The series is now complete: The entire range from ALPHA 630 - DIN to SIKUS 3200 is now covered by the new modular distribution boards. Due to special demand, we have developed these cabinets for expansion using assembly kits in

dimensions according to DIN 43870. ■ They close the gap for currents over 630 A and enclosures for mounting larger and heavier switching devices.

For any application.

5

## ALPHA Modular Distribution Boards



The distribution system consists of control cabinet frames with rear panels for side-by-side mounting that can be equipped with adapters for mounting assemblies from the ALPHA 630-DIN product range. ■ The busbar system up to 1600 A from the SIKUS 3200 series can also be installed in

the new floor-mounted distribution boards. The control cabinet frames can then be completed by attaching sheet-steel doors or glass doors in "Giugiaro Design", as well as side panels, roofing plates and floor plates.

5/3

# ALPHA Modular Distribution Boards

## General Data

### Introduction

#### Benefits

- Modular components for manifold cabinet combinations for stand-alone or side-by-side mounting
- High quality standards and safety standards
- Flexible application with a wide range of mounting kits and accessories
- Easy mounting thanks to modular component system
- Safe contacting thanks to grounding concept with self-tapping screws
- The right version for any requirement
- Easy planning and configuration
- Attractive design

#### Application

The stand-alone and side-by-side cabinets comply with the relevant provisions.

They can be used as main distribution boards and sub-distribution boards in:

- administrative and non-residential buildings
- industrial and commercial buildings
- public buildings, e.g. schools and hospitals
- they can also be used as control cabinets for heating ventilation, electronics and communication.

#### Technical specifications

##### Environmental aspects

The plastics used can be recycled. The colors used are solvent, cadmium and lead free.

##### Internal partitions (separations)

Partitions increase operator safety and offer protection against ingressing foreign solid bodies from adjoining units.

<b>Overvoltage category</b>	V	1000/III
<b>Rated impulse withstand voltage <math>U_{imp}</math></b>	kV	8
<b>Clearance and creepage distances</b>		DIN VDE 0110
<b>Rated insulation voltage <math>U_i</math></b>	V	1000
<b>Rated operational voltage <math>U_e</math></b>	V	690
<b>Rated current</b>	A	1600, main busbars
<b>Short-circuit strength</b>		
Main busbars	$I_{pk}$ $t_{cw} (1 s)$	kA kA up to 143 up to 65
<b>Protective measures</b>		Safety class 1 (protective conductor connection)
<b>Number of conductors within the busbar run</b>		3, AC 4, AC 2 and 3, DC
<b>Degree of protection acc. to EN 60529</b>		IP55, with protection cover against contact and sealed door IP30, with protection cover against contact without door
<b>Degree of pollution</b>		3
<b>Ambient temperature</b>	°C	35 (24-h average value)
<b>Relative air humidity</b>	%	50 at 40 °C
<b>Altitude</b>	m	max. 2000 (above sea level)
<b>Enclosure</b>		Frame and doors of 2 mm sheet steel
<b>Mounting dimensions</b>		DIN 43870
<b>Surface of metal parts</b>		electrogalvanized and powder-coated
<b>Color</b>		RAL 7035 light gray (other RAL colors upon request)
<b>Locking system</b>		2/4-point locking with built-in espagnolette lock and double-bit lock 3-mm pin

# ALPHA Modular Distribution Boards Unequipped Distribution Boards

## Cabinet frames and supplementary components for side-by-side mounting

5

### Overview

- Side-by-side cabinet for side-by-side mounting
- Acc. to DIN VDE 0660, Part 500, EN 60439-1
- Degrees of protection up to IP55
- Safety class 1 (protective conductor connection)
- Cabinet frame of 2 mm profiled sheet steel, electrogalvanized, powder-coated
- Color: RAL 7035 light gray, further RAL colors are available upon request
- Fixing grid 25 mm vertical and horizontal, acc. to DIN 43660
- Installation with self-tapping screws
- 400 mm wide fields for lateral cable or busbar compartments

### Design

- Assembled side-by-side cabinet, consisting of:
- Cabinet frame
  - Rear panel



### Selection and ordering data

Dimensions			Cabinet frame with rear panel			Roofing plates closed			Floor plates multipart		
H	W	D	Order No.	Price	PS*/P. unit	Order No.	Price	PS*/P. unit	Order No.	Price	PS*/P. unit
mm	mm	mm	PG 155	1 item	Items	PG 155	1 item	Items	PG 155	1 item	Items
2000	400	400	<b>8GG2 401-1</b>		1	<b>8GG3 301-0</b>		1	<b>8GG3 361-0</b>		1
	600		<b>8GG2 402-1</b>		1	<b>8GG3 302-0</b>		1	<b>8GG3 362-0</b>		1
	850		<b>8GG2 404-1</b>		1	<b>8GG3 304-0</b>		1	<b>8GG3 364-0</b>		1
	1100		<b>8GG2 406-1</b>		1	<b>8GG3 306-0</b>		1	<b>8GG3 366-0</b>		1
2000	400	600	<b>8GG2 411-1</b>		1	<b>8GG3 301-1</b>		1	<b>8GG3 361-1</b>		1
	600		<b>8GG2 412-1</b>		1	<b>8GG3 302-1</b>		1	<b>8GG3 362-1</b>		1
	850		<b>8GG2 414-1</b>		1	<b>8GG3 304-1</b>		1	<b>8GG3 364-1</b>		1
	1100		<b>8GG2 416-1</b>		1	<b>8GG3 306-1</b>		1	<b>8GG3 366-1</b>		1

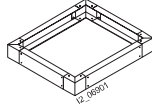
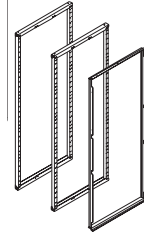
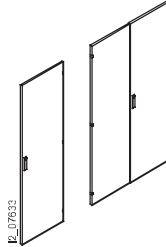
\* You can order this quantity or a multiple thereof.

# ALPHA Modular Distribution Boards

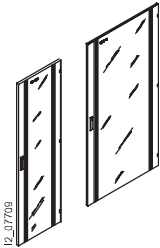
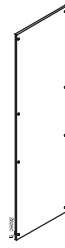
## Unequipped Distribution Boards

### Supplementary components

#### Selection and ordering data

Dimensions			Socket frames H = 100 mm			Adapter kit for mounting kits acc. to DIN 43870 (8GK system)			Front doors of sheet steel		
											
H	W	D	Order No.	Price	PS*/ P. unit	Order No.	Price	PS*/ P. unit	Order No.	Price	PS*/ P. unit
mm	mm	mm	PG 155	1 item	Items	PG 039	1 item	Items	PG 155	1 item	Items
2000	400	400	<b>8GG3 401-0</b>		1	<b>8GK9 400-0KK15</b>		1	<b>8GG3 004-1</b>		1
		600	<b>8GG3 402-0</b>		1	<b>8GK9 400-0KK25</b>		1	<b>8GG3 004-2</b>		1
		850	<b>8GG3 404-0</b>		1	<b>8GK9 400-0KK35</b>		1	<b>8GG3 004-4</b>		1
		1100	<b>8GG3 406-0</b>		1	<b>8GK9 400-0KK45</b>		1	<b>8GG3 004-6</b>		1
2000	400	600	<b>8GG3 401-1</b>		1	<b>8GK9 400-0KK17</b>		1	<b>8GG3 004-1</b>		1
		600	<b>8GG3 402-1</b>		1	<b>8GK9 400-0KK27</b>		1	<b>8GG3 004-2</b>		1
		850	<b>8GG3 404-1</b>		1	<b>8GK9 400-0KK37</b>		1	<b>8GG3 004-4</b>		1
		1100	<b>8GG3 406-1</b>		1	<b>8GK9 400-0KK47</b>		1	<b>8GG3 004-6</b>		1

#### Selection and ordering data

Dimensions			Front doors of glass			Side panels (1 set = 2 items) closed IP55		
								
H	W	D	Order No.	Price	PS*/ P. unit	Order No.	Price	PS*/ P. unit
mm	mm	mm	PG 155	1 item	Items	PG 155	1 set	Items
2000	400	400	<b>8GG3 044-2</b>		1	<b>8GG3 204-0</b>		1 set
		600	<b>8GG3 044-3</b>		1	<b>8GG3 204-0</b>		1 set
		850	<b>8GG3 044-4</b>		1	<b>8GG3 204-0</b>		1 set
		1100	<b>8GG3 044-5</b>		1	<b>8GG3 204-0</b>		1 set
2000	400	600	<b>8GG3 044-2</b>		1	<b>8GG3 204-1</b>		1 set
		600	<b>8GG3 044-3</b>		1	<b>8GG3 204-1</b>		1 set
		850	<b>8GG3 044-4</b>		1	<b>8GG3 204-1</b>		1 set
		1100	<b>8GG3 044-5</b>		1	<b>8GG3 204-1</b>		1 set

# ALPHA Modular Distribution Boards Assembly Kits for Unequipped Distribution Boards

**8GK4 assembly kits  
for modular installation devices**

## Overview





- Assembly kits for individual and project-related assembly, comprising: equipment racks, front cover for unequipped panels including supports, screws and mounting accessories
- Assembly kit dimensions (in mm)  
height: 150, 300, 450, 600  
width: 250, 500, 750  
panel-size grid dimensions  
H × W: 150 × 250

- The front cover for unequipped panels is sealable as a standard and facilitates a fast and reliable fixation to the supports thanks to its quick-acting locking technique

### Note:

*For mounting the assembly kits into the unequipped distribution boards, 2 longitudinal stays per assembly kit are required. These longitudinal stays must be ordered separately (see page 5/17).*

## Selection and ordering data

Assembly kits (external dimensions)		Rows/ MW	150 mm tier spacing without N/PE bar		PS*/ P. unit
Height mm	Width mm		Order No.	Price	
150	250	1/12	PG 039	1 item	Items
	 500	1/24	<b>8GK4 351-1KK12</b>		1
	750	1/36	<b>8GK4 351-1KK22</b>		1
300	250	2/24	<b>8GK4 351-1KK32</b>		1
	 500	2/48	<b>8GK4 351-2KK12</b>		1
	750	2/72	<b>8GK4 351-2KK22</b>		1
450	250	3/36	<b>8GK4 351-2KK32</b>		1
	 500	3/72	<b>8GK4 351-3KK12</b>		1
	750	3/108	<b>8GK4 351-3KK22</b>		1
600	250	4/48	<b>8GK4 351-3KK32</b>		1
	 500	4/96	<b>8GK4 351-4KK12</b>		1
	750	4/144	<b>8GK4 351-4KK22</b>		1
			<b>8GK4 351-4KK32</b>		1

The mounting kits with a width of 250 mm are equipped with 7.5 mm standard mounting rails.  
The mounting kits with a width of 500 mm/750 mm are equipped with 15 mm standard mounting rails.  
For accessories, please refer to page 5/17 ff.

\* You can order this quantity or a multiple thereof.

Siemens ET A1 · 2005

5/7

# ALPHA Modular Distribution Boards Assembly Kits for Unequipped Distribution Boards

## 8GK4 assembly kits for horizontal terminal blocks

### Overview




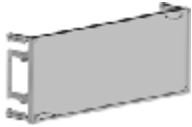
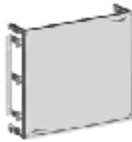
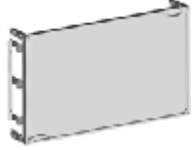
- Assembly kits for individual and project-related assembly, comprising: equipment racks, front cover for unequipped panels including supports, screws and mounting accessories
- Assembly kit dimensions (in mm)  
height: 150, 300, 450  
width: 250, 500, 750,  
panel-size grid dimensions  
H x W: 150 x 250

- The front cover for unequipped panels is sealable as a standard and facilitates a fast and reliable fixation to the supports thanks to its quick-acting locking technique

*Note:*

*For mounting the assembly kits into the unequipped distribution boards, 2 longitudinal stays per assembly kit are required. These longitudinal stays must be ordered separately (see page 5/17).*

### Selection and ordering data

Assembly kits (external dimensions)		Order No.	Price	PS*/ P. unit
Height mm	Width mm	PG 039	1 item	Items
Terminal blocks of staged and insulated design with closed front cover for unequipped panels				
150	250		<b>8GK4 401-1KK12</b>	1
300	250		<b>8GK4 401-2KK12</b>	1
	500		<b>8GK4 401-2KK22</b>	1
	750		<b>8GK4 401-2KK32</b>	1
450	500		<b>8GK4 401-3KK22</b>	1
	750		<b>8GK4 401-3KK32</b>	1

For accessories, please refer to page 5/17 ff.



# ALPHA Modular Distribution Boards Assembly Kits for Unequipped Distribution Boards

**8GK4 assembly kits  
for vertical terminal blocks**

## Overview










- Assembly kits for individual and project-related assembly, comprising: equipment racks, front cover for unequipped panels including supports, screws and mounting accessories
- Assembly kit dimensions (in mm)  
height: 300, 450, 600  
width: 250, 500, 750  
panel-size grid dimensions  
H x W: 150 x 250

- The front cover for unequipped panels is sealable as a standard and facilitates a fast and reliable fixation to the supports thanks to its quick-acting locking technique

*Note:*

*For mounting the assembly kits into the unequipped distribution boards, 2 longitudinal stays per assembly kit are required. These longitudinal stays must be ordered separately (see page 5/17).*

## Selection and ordering data

Assembly kits (external dimensions)		Order No.	Price	PS*/ P. unit
Height mm	Width mm	PG 039	1 item	Items
Terminal blocks of insulated design with closed front cover for unequipped panels				
300	250		<b>8GK4 402-2KK12</b>	1
	500		<b>8GK4 402-2KK22</b>	1
	750		<b>8GK4 402-2KK32</b>	1
450	250		<b>8GK4 402-3KK12</b>	1
	500		<b>8GK4 402-3KK22</b>	1
	750		<b>8GK4 402-3KK32</b>	1
600	250		<b>8GK4 402-4KK12</b>	1
	500		<b>8GK4 402-4KK22</b>	1
	750		<b>8GK4 402-4KK32</b>	1

For accessories, please refer to page 5/17 ff.

\* You can order this quantity or a multiple thereof.

# ALPHA Modular Distribution Boards Assembly Kits for Unequipped Distribution Boards

## 8GK4 assembly kits with mounting plates

### Overview

- Assembly kits for individual and project-related assembly, comprising: Mounting plate, front cover for unequipped panels including supports, mounting brackets (depth-adjustable), screws and mounting accessories
- Assembly kit dimensions (in mm)  
height: 300, 450, 600  
width: 250, 500, 750  
panel-size grid dimensions  
H x W: 150 x 250









- The front cover for unequipped panels is sealable as a standard and facilitates a fast and reliable fixation to the supports thanks to its quick-acting locking technique

#### Note:

*For mounting the assembly kits into the unequipped distribution boards, 2 longitudinal stays per assembly kit are required. These longitudinal stays must be ordered separately (see page 5/17).*

*If the mounting plate is fitted so that it extends over several panel widths, no longitudinal stay can be placed in the middle.*

### Selection and ordering data

Assembly kits (external dimensions)			Order No.	Price	PS*/ P. unit
Height mm	Width mm		PG 039	1 item	Items
with closed front cover for unequipped panels					
300	250		<b>8GK4 451-2KK12</b>		1
	500		<b>8GK4 451-2KK22</b>		1
	750		<b>8GK4 451-2KK32</b>		1
450	250		<b>8GK4 451-3KK12</b>		1
	500		<b>8GK4 451-3KK22</b>		1
	750		<b>8GK4 451-3KK32</b>		1
600	250		<b>8GK4 451-4KK12</b>		1
	500		<b>8GK4 451-4KK22</b>		1
	750		<b>8GK4 451-4KK32</b>		1

For accessories, please refer to page 5/17 ff.

# ALPHA Modular Distribution Boards Assembly Kits for Unequipped Distribution Boards

8GK4 assembly kits  
for unequipped panels

## Overview






- Assembly kits for individual and project-related assembly, comprising: equipment racks, front cover for unequipped panels including supports, screws and mounting accessories
- Assembly kit dimensions (in mm)  
height: 75, 150, 300, 450, 600  
width: 250, 500, 750  
panel-size grid dimensions  
H x W: 150 x 250

- The front cover for unequipped panels is sealable as a standard and facilitates a fast and reliable fixation to the supports thanks to its quick-acting locking technique

### Note:

For mounting the assembly kits into the unequipped distribution boards, 2 longitudinal stays per assembly kit are required. These longitudinal stays must be ordered separately (see page 5/17).

## Selection and ordering data

Assembly kits (external dimensions)			Order No.	Price	PS*/ P. unit
Height mm	Width mm		PG 039	1 item	Items
75	250		<b>8GK4 501-0KK12</b>		1
	500		<b>8GK4 501-0KK22</b>		1
150	250		<b>8GK4 501-1KK12</b>		1
	500		<b>8GK4 501-1KK22</b>		1
	750		<b>8GK4 501-1KK32</b>		1
300	250		<b>8GK4 501-2KK12</b>		1
	500		<b>8GK4 501-2KK22</b>		1
	750		<b>8GK4 501-2KK32</b>		1
450	250		<b>8GK4 501-3KK12</b>		1
	500		<b>8GK4 501-3KK22</b>		1
	750		<b>8GK4 501-3KK32</b>		1
600	250		<b>8GK4 501-4KK12</b>		1
	500		<b>8GK4 501-4KK22</b>		1
	750		<b>8GK4 501-4KK32</b>		1

For accessories, please refer to page 5/17 ff.

\* You can order this quantity or a multiple thereof.

# ALPHA Modular Distribution Boards Assembly Kits for Unequipped Distribution Boards

## 8GK4 assembly kits for 3NP4 fuse switch disconnectors for support plate mounting

### Overview







- Assembly kits for individual and project-related assembly, comprising: support plate, front cover for unequipped panels including supports, screws and mounting accessories
- Assembly kit dimensions (in mm)  
height: 300, 450  
width: 250, 500  
panel-size grid dimensions  
H x W: 150 x 250

- The front cover for unequipped panels is sealable as a standard and facilitates a fast and reliable fixation to the supports thanks to its quick-acting locking technique

#### Note:

For mounting the assembly kits into the unequipped distribution boards, 2 longitudinal stays per assembly kit are required. These longitudinal stays must be ordered separately (see page 5/17).

### Selection and ordering data

Assembly kits (external dimensions)		Order No.	Price	PS*/ P. unit
Height mm	Width mm	PG 039	1 item	Items
<b>For 3NP4 fuse switch disconnectors for support plate mounting</b>				
Fixing plate with matching cover and molded-plastic cover				
up to 160 A, for NH000 LV HRC fuse switch disconnectors				
300	250		1 x 3NP40 10	<b>8GK4 551-2KK12</b> 1
			2 x 3NP40 10	<b>8GK4 552-2KK12</b> 1
450	250		4 x 3NP40 10	<b>8GK4 553-3KK12</b> 1
up to 160 A, for NH00 LV HRC fuse switch disconnectors				
300	250		1 x 3NP40 70	<b>8GK4 554-2KK12</b> 1
			2 x 3NP40 70	<b>8GK4 555-2KK12</b> 1
up to 250 A, for NH1 LV HRC fuse switch disconnectors				
450	250		1 x 3NP42 70	<b>8GK4 556-3KK12</b> 1
up to 400 A, for NH2 LV HRC fuse switch disconnectors				
450	250		1 x 3NP43 70	<b>8GK4 557-3KK12</b> 1
up to 630 A, for NH3 LV HRC fuse switch disconnectors				
450	500		1 x 3NP44 70	<b>8GK4 558-3KK13</b> 1

For accessories, please refer to page 5/17 ff.

# ALPHA Modular Distribution Boards Assembly Kits for Unequipped Distribution Boards

8GK4 assembly kits for 3NP4 fuse switch disconnectors for busbar mounting

## Overview

- Assembly kits for individual and project-related assembly, comprising: front cover for unequipped panels including supports, screws and mounting accessories
- Assembly kit dimensions (in mm)  
height: 300, 450  
width: 250  
panel-size grid dimensions  
H x W: 150 x 250

- The front cover for unequipped panels is sealable as a standard and facilitates a fast and reliable fixation to the supports thanks to its quick-acting locking technique

*Note:*

*For mounting the assembly kits into the unequipped distribution boards, 2 longitudinal stays per assembly kit are required. These longitudinal stays must be ordered separately (see page 5/17).*

***The Cu busbar and the busbar supports must be ordered separately (refer to page 5/18).***

## Selection and ordering data

Assembly kits (external dimensions)		Order No.	Price	PS*/ P. unit
Height mm	Width mm	PG 039	1 item	Items
Busbar center-to-center clearance of 40 mm/60 mm, with matching cover and molded-plastic cover up to 160 A, for NH000 LV HRC fuse switch disconnectors				
300	250	1 x 3NP40 15/3NP40 16	<b>8GK4 651-2KK12</b>	1
		2 x 3NP40 15/3NP40 16	<b>8GK4 652-2KK12</b>	1
up to 160 A, for NH00 LV HRC fuse switch disconnectors				
450	250	1 x 3NP40 75/3NP40 76	<b>8GK4 653-3KK12</b>	1
		2 x 3NP40 75/3NP40 76	<b>8GK4 654-3KK12</b>	1
up to 250 A, for NH1 LV HRC fuse switch disconnectors				
450	250	1 x 3NP42 75/3NP42 76	<b>8GK4 655-3KK12</b>	1

For accessories, please refer to page 5/17 ff.

\* You can order this quantity or a multiple thereof.

# ALPHA Modular Distribution Boards Assembly Kits for Unequipped Distribution Boards

## 8GK4 assembly kits for SENTRON VL circuit-breakers

### Overview




- Assembly kits for individual and project-related assembly, comprising: equipment racks, front cover for unequipped panels including supports, screws and mounting accessories
- Assembly kit dimensions (in mm)  
height: 450, 600  
width: 250, 500  
panel-size grid dimensions  
H x W: 150 x 250

- The front cover for unequipped panels is sealable as a standard and facilitates a fast and reliable fixation to the supports thanks to its quick-acting locking technique

#### Note:

*For mounting the assembly kits into the unequipped distribution boards, 2 longitudinal stays per assembly kit are required. These longitudinal stays must be ordered separately (see page 5/17).*

### Selection and ordering data

Assembly kits (external dimensions)				Order No.	Price	PS*/ P. unit
Height mm	Width mm			PG 039	1 item	Items
<b>3-pole</b>						
450	250		1 x VL160X, 1 x VL160, 1 x VL250	<b>8GK4 701-3KK12</b>		1
600	250		1 x VL400	<b>8GK4 702-4KK12</b>		1
			1 x VL630	<b>8GK4 703-4KK13</b>		1
			1 x VL800	<b>8GK4 704-4KK15</b>		1
<b>4-pole</b>						
600	500		1 x VL630	<b>8GK4 704-4KK13</b>		1
			1 x VL800	<b>8GK4 704-4KK25</b>		1
			1 x VL1250	<b>8GK4 705-4KK25</b>		1

For accessories, please refer to page 5/17 ff.

# ALPHA Modular Distribution Boards Assembly Kits for Unequipped Distribution Boards

8GK4 assembly kits for  
3NJ4 in-line fuse switch disconnectors

## Overview

- Assembly kits for individual and project-related assembly, comprising: equipment racks, front cover for unequipped panels including supports, screws and mounting accessories
- Assembly kit dimensions (in mm)  
height: 600, 750  
width: 250, 500, 750  
panel-size grid dimensions  
H x W: 150 x 250







- The front cover for unequipped panels is sealable as a standard and facilitates a fast and reliable fixation to the supports thanks to its quick-acting locking technique

*Note:*

*For mounting the assembly kits into the unequipped distribution boards, 2 longitudinal stays per assembly kit are required. These longitudinal stays must be ordered separately (see page 5/17).*

## Selection and ordering data

5

Assembly kits (external dimensions)		Order No.	Price	PS*/ P. unit
Height mm	Width mm	PG 039	1 item	Items
<b>Busbar center-to-center clearance of 100 mm, with busbar support</b>				
600	250	4 x 3NJ4, size 00	<b>8GK4 751-4KK13</b>	1 set
				
500		9 x 3NJ4, size 00	<b>8GK4 751-4KK23</b>	1 set
				
750		14 x 3NJ4, size 00	<b>8GK4 751-4KK33</b>	1 set
				
<b>Busbar center-to-center clearance of 185 mm, with busbar support</b>				
750	250	2 x 3NJ4, size 1-3	<b>8GK4 752-5KK15</b>	1
				
500		4 x 3NJ4, size 1-3	<b>8GK4 752-5KK25</b>	1
				
750		6 x 3NJ4, size 1-3	<b>8GK4 752-5KK35</b>	1
				

2 x 3NJ4 size 00 corresponds to 1 x 3NJ4 2 size 1-3.

\* You can order this quantity or a multiple thereof.

For accessories, please refer to page 5/17 ff.

# ALPHA Modular Distribution Boards Assembly Kits for Unequipped Distribution Boards

## 8GK4 assembly kits for bus-mounting fuse bases for busbar system mounting

### Overview

- Assembly kits for individual and project-related assembly, comprising: equipment racks, front cover for unequipped panels including supports, busbar supports for bus-mounting fuse bases, screws and mounting accessories
- Assembly kit dimensions (in mm)  
height: 300, 450  
width: 250  
panel-size grid dimensions  
H x W: 150 x 250



- The front cover for unequipped panels is sealable as a standard and facilitates a fast and reliable fixation to the supports thanks to its quick-acting locking technique

#### Note:

For mounting the assembly kits into the unequipped distribution boards, 2 longitudinal stays per assembly kit are required. These longitudinal stays must be ordered separately (see page 5/17).

**The Cu busbar must be ordered separately (refer to page 5/18).**

### Selection and ordering data

Assembly kits (external dimensions)		Order No.	Price	PS*/P. unit
Height mm	Width mm	PG 039	1 item	Items
3-pole, busbar center-to-center clearance of 60 mm				
300	250		<b>8GK4 801-2KK12</b>	1
		7 x NEOZED D02		
450	250		<b>8GK4 801-3KK12</b>	1
		7 x NEOZED D02		

For accessories, please refer to page 5/17 ff.



# ALPHA Modular Distribution Boards Accessories

## Unequipped distribution boards

### Selection and ordering data

	Order No.	Price	PS*/ P. unit
		1 item	1 item
<p><b>Connection set, IP41</b> for side-by-side mounting of enclosures with screws, washers and nuts</p>	PG 155 <b>8GG3 880-3</b>		1 set
<p><b>Connection set, IP55</b> for side-by-side mounting of enclosures with screws, washers, nuts and 10 m sealing strip roll</p>	<b>8GG3 880-2</b>		1 set
<p><b>Longitudinal stays acc. to DIN 43870 (8GK system)</b> for mounting assembly kits that are smaller than the overall width of the cabinet</p>	PG 039 <b>8GK4 854-8KK05</b>		1
<p><b>Locking systems</b></p> <p><u>Rotary handle</u> recessable, with mounting option for profile semicylinders</p>	PG 155 <b>8GG3 800-1</b>		1
<p><u>Profile semicylinder with E012 lock</u> incl. key (1 set = 2 items)</p>	PG 042 <b>8GD9 255</b>		1 set
<p><u>Profile semicylinder with Senat tumbler</u> incl. fixing material</p>	PG 042 <b>8GE3 815-3</b>		1 set
<p><b>Circuit diagram pockets</b> DIN A 4, transparent sleeve</p>	PG 039 <b>8GK9 910-0KK23</b>		1
<p><b>Plastic cable flange plates</b></p> <p><u>Degree of protection IP41</u> without knockouts with cellular rubber insert for arbitrary cable insertion</p> <p><u>Degree of protection IP55 with knockouts</u> with filter fan</p> <p>with knockouts 13 x Pg 3.3/6 x Pg 6/5 x Pg 21 12 x Pg 29 4 x Pg 29/3 x Pg 36 4 x 75 mm/Pg 48/12 x Pg 36/Pg 29</p> <p><u>Degree of protection IP55 with knockouts</u> 13 x Pg 13.3/6 x Pg 6/5 x Pg 21 12 x Pg 29 4 x Pg 29/3 x Pg 36</p>	PG 042 <b>8GD6 047</b> <b>8GD6 095</b> PG 042 <b>8GD6 157</b> PG 042 <b>8GD6 048</b> <b>8GD6 050</b> <b>8GD6 051</b> <b>8GD6 052</b> <b>8GD6 054</b> <b>8GD6 055</b> <b>8GD6 056</b>		1/5 1/5 1 set 1/5 1/5 1/5 1/5 1 1 1
<p><b>Rubber cable entries</b> for insertion in knockouts 38 mm (Pg 29), can also be used as blanking plugs, for cables</p> <p>1 x 12 mm ... 29 mm 2 x 6 mm ... 15 mm 3 x 4 mm ... 12.5 mm 4 x 4 mm ... 12 mm</p>	PG 046 <b>8HP1 805</b> <b>8HP1 806</b> <b>8HP1 807</b> <b>8HP1 808</b>		1 1 1 1

\* You can order this quantity or a multiple thereof.

Siemens ET A1 · 2005

5/17

# ALPHA Modular Distribution Boards

## Standard busbar supports for horizontal mounting

### Overview

- For mounting and allocation on the rear panel, minimum cabinet depth 600 mm
- Rated current of the busbars at an ambient temperature of +35 °C: note reduction factor according to DIN 43671
- Crossarms must be ordered separately

### Technical specifications

Rated current A	Rated short-time current $I_{CW}$ (1 s) kA/rated peak withstand current $I_{pk}$ (kA) max. clearance between two busbar supports (in mm)											
	10/20	15/30	20/40	30/63	40/84	50/105	55/121	60/132	65/143	70/154	80/176	100/220
<b>3-pole</b>												
800	1200	800	600	375	275	–	–	–	–	–	–	–
1250	–	–	–	500	375	300	260	235	225	–	–	–
1600	–	–	–	460	340	260	240	220	200	–	–	–
<b>4-pole</b>												
800	1200	800	600	375	275	–	–	–	–	–	–	–
1250	–	–	–	500	375	300	260	235	225	–	–	–
1600	–	–	–	460	340	260	240	220	200	–	–	–

### Selection and ordering data

Rated current A	Cu cross-section L1/L2/L3	Busbar support for L1/L2/L3			Cu cross-section for N	Busbar support for N			Cu cross-section for PE	Mounting bracket for N/PE/PEN		
		Order No.	Price	PS*/ P. unit		Order No.	Price	PS*/ P. unit		Order No.	Price	PS*/ P. unit
A		PG 155	1 item	Items		PG 155	1 item	Items		PG 155	1 item	Items
<b>3-pole</b>												
800	2 x 20 x 10	<b>8GF5 801</b>	1	1 x 20 x 10	<b>8GG5 220-0</b>	1	1 x 20 x 10	<b>8GG5 821-0</b>	1	1 x 20 x 10		1
1250	2 x 30 x 10			1 x 30 x 10			1 x 30 x 10			1 x 30 x 10		
1600	2 x 40 x 10	<b>8GF5 802</b>	1	2 x 20 x 10	<b>8GG5 220-0</b>	1	1 x 40 x 10					
<b>4-pole</b>												
800	2 x 20 x 10	<b>8GF5 806</b>	1	1 x 20 x 10	<b>8GG5 220-1</b>	1	1 x 20 x 10	<b>8GG5 821-0</b>	1	1 x 20 x 10		1
1250	2 x 30 x 10			1 x 30 x 10			1 x 30 x 10			1 x 30 x 10		
1600	2 x 40 x 10	<b>8GF5 807</b>	1	2 x 20 x 10	<b>8GG5 220-1</b>	1	1 x 40 x 10					

### Accessories

Cabinet width mm	Crossarm for standard busbar support incl. fixing material (1 set = 2 items)		
B	Order No.	Price	PS*/ P. unit
	PG 155	1 item	Items
400	<b>8GG5 820-0</b>		1 set
600	<b>8GG5 820-1</b>		1 set
850	<b>8GG5 820-3</b>		1 set
1100	<b>8GG5 820-5</b>		1 set

*Note:*  
The standard busbar support is designed for increased busbar temperatures up to +85 °C. This means that the cross-section may be reduced at the same rated current level.  
Please observe Cu dimensions and rated current.