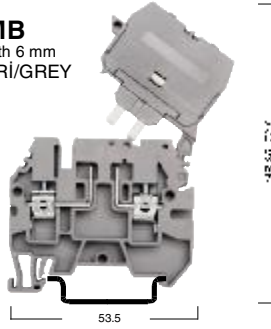




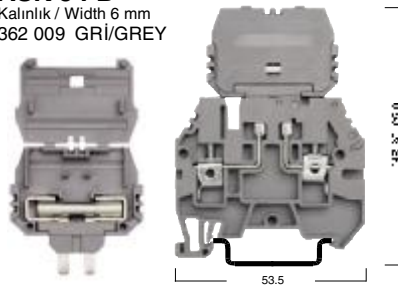
**ASK 3 MB**

Kalınlık / Width 6 mm  
363 009 GRI/GREY



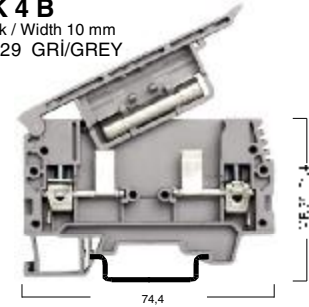
**ASK 3 FB**

Kalınlık / Width 6 mm  
362 009 GRI/GREY



**ASK 4 B**

Kalınlık / Width 10 mm  
360 129 GRI/GREY



Sıkma Torku/ Torque: 0,5 Nm

Sıkma Torku/ Torque: 0,5 Nm

Sıkma Torku/ Torque: 0,8 Nm

Gerilim / Akım / Kesit / Voltage/Current/Cross-section			Gerilim / Akım / Kesit / Voltage/Current/Cross-section			Gerilim / Akım / Kesit / Voltage/Current/Cross-section		
500 V ~ / 16 A / 4 mm <sup>2</sup>			500 V ~ / 16 A / 4 mm <sup>2</sup>			750 V ~ / 6,3 A / 6 mm <sup>2</sup>		
600 V ~ / 10 A / AWG 26-10			600 V ~ / 10 A / AWG 26-10			- V ~ / - A / AWG 22-8		
10 mm			10 mm			12 mm		
0,5 ..... 6 mm <sup>2</sup>			0,5 ..... 6 mm <sup>2</sup>			0,5 ..... 10 mm <sup>2</sup>		
1,5 ..... 4 mm <sup>2</sup>			1,5 ..... 4 mm <sup>2</sup>			1,5 ..... 6 mm <sup>2</sup>		
26 ..... 10			26 ..... 10			22 ..... 8		
Tip/Type	Sip.No./Cat.No.	Mik./Qty.	Tip/Type	Sip.No./Cat.No.	Mik./Qty.	Tip/Type	Sip.No./Cat.No.	Mik./Qty.
ASK 3 MB	363 000	20	ASK 3 FB	362 000	20	ASK 4 B	360 120	20
ASK 3 MB	363 009	20	ASK 3 FB	362 009	20	ASK 4 B	360 129	20
Tip/Type	Sip.No./Cat.No.	Mik./Qty.	Tip/Type	Sip.No./Cat.No.	Mik./Qty.	Tip/Type	Sip.No./Cat.No.	Mik./Qty.
MR 35x7.5	500 601	1 m	MR 35x7.5	500 601	1 m	MR 35x7.5	500 601	1 m
Delikli / Slotted	500 602	1 m	Delikli / Slotted	500 602	1 m	Delikli / Slotted	500 602	1 m
MR 35x7.5	500 603	2 m	MR 35x7.5	500 603	2 m	MR 35x7.5	500 603	2 m
Delikli / Slotted	500 604	2 m	Delikli / Slotted	500 604	2 m	Delikli / Slotted	500 604	2 m
MR 35x7.5	500 605	30 cm	MR 35x7.5	500 605	30 cm	MR 35x7.5	500 605	30 cm
MR 35x15	500 606	1 m	MR 35x15	500 606	1 m	MR 35x15	500 606	1 m
Delikli / Slotted	500 607	1 m	Delikli / Slotted	500 607	1 m	Delikli / Slotted	500 607	1 m
Tip/Type	Sip.No./Cat.No.	Mik./Qty.	Tip/Type	Sip.No./Cat.No.	Mik./Qty.	Tip/Type	Sip.No./Cat.No.	Mik./Qty.
KD 3	495 049	100	KD 3	495 049	100	KD 3	495 049	100
KD 4	495 059	100	KD 4	495 059	100	KD 4	495 059	100
Tip/Type	Sip.No./Cat.No.	Mik./Qty.	Tip/Type	Sip.No./Cat.No.	Mik./Qty.	Not: Nihayet plakası ürün ile birlikte verilmektedir. Note: End plate is given with the product.		
NPP ASK 3	450 050	10	NPP ASK 3	450 050	10			
NPP ASK 3	450 059	10	NPP ASK 3	450 059	10			
Tip/Type	Sip.No./Cat.No.	Mik./Qty.	Tip/Type	Sip.No./Cat.No.	Mik./Qty.	Tip/Type	Sip.No./Cat.No.	Mik./Qty.
UK 4/2	476 232	25	UK 4/2	476 232	25			
UK 4/3	476 233	20	UK 4/3	476 233	20			
UK 4/4	476 234	15	UK 4/4	476 234	15			
UK 4/10	476 239	5	UK 4/10	476 239	5			
Tip/Type	Sip.No./Cat.No.	Mik./Qty.	Tip/Type	Sip.No./Cat.No.	Mik./Qty.	Tip/Type	Sip.No./Cat.No.	Mik./Qty.
GE	496 119	50	GE	496 119	50	GE	496 119	50
ME	496 139	25	ME	496 139	25	ME	496 139	25
DY 5 DB 10/5 DB 10/6 DG 6/5 DG 10/5 DG 10/6			DY 5 DB 10/5 DB 10/6 DG 6/5 DG 10/5 DG 10/6			DY 5		

## Vidalı Tip Sigortalı Klemensler Screw Type Fuse Terminals

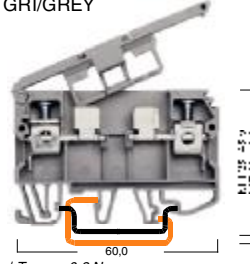
Klemensler, Ø5x20 veya Ø5x25 cam sigorta takilabilen ve yedek sigorta yuvası bulunan bir kartuşa sahiptir. Bu kartuş ASK 3 M tiplerinde bir mafsalla ana gövdeye bağlıdır. ASK 3 F klemenslerinde ise bu kartuşu bir fiş ile ayırmak mümkündür.

The terminal has a moving type hinged carrier that has a specially designed space for cartridge type glass fuse of size Ø5x20 or Ø5x25 together with a spare one. The fuse can be engaged or disengaged by the movement or by the replacement of the carrier in ASK 3 M and ASK 3 F type products respectively.



### ASK 2 S

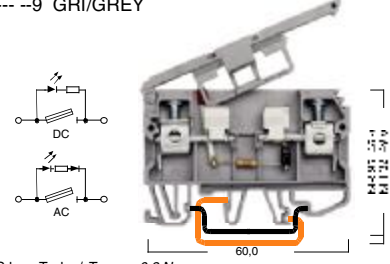
Kalınlık / Width 8 mm  
351 109 GRİ/GREY



Sıkma Torku / Torque: 0,8 Nm

### ASK 2 LD

Kalınlık / Width 8 mm  
--- --9 GRİ/GREY

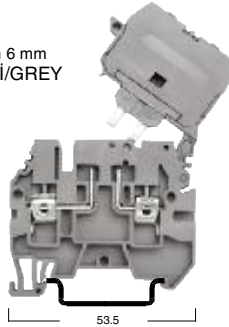


Sıkma Torku / Torque: 0,8 Nm

Anma Değerleri / Electrical Ratings	Gerilim / Akım / Kesit / Voltage/Current/Cross-section	Gerilim / Akım / Kesit / Voltage/Current/Cross-section
TSE / CE (EN 60947-7-1 / 60947-7-3)	500 V ~ / 6.3 A / 6 mm <sup>2</sup>	- V ~ / 6.3 A / 6 mm <sup>2</sup>
UL / CSA	300 V ~ / 6.3 A / AWG 26-8	- V ~ / 6.3 A / AWG 26-8
Kablo Soyma Boyu / Insulation Stripping Length	12 mm	12 mm
Bağlantı Bilgileri / Connection Data		
Tekli İletken, Vida Bağlantılı / Solid Strand, Screw Connection	0,5 ..... 10 mm <sup>2</sup>	0,5 ..... 10 mm <sup>2</sup>
Çoklu İletken, Vida Bağlantılı / Fine Strand, Screw Connection	1,5 ..... 6 mm <sup>2</sup>	1,5 ..... 6 mm <sup>2</sup>
AWG İletken / AWG Conductor	26 ..... 8	26 ..... 8
Sipariş Bilgileri / Ordering Data		
Polyamide 6.6	BEJ - BEIGE / GRİ - GREY	
	ASK 2 S	ASK 2 LD
	Sip.No./Cat.No. 351 100 / 351 109	Sip.No./Cat.No. 351 210 / 351 219 (24V AC)
	Mik./Qty. 50	Mik./Qty. 25
		ASK 2 LD 351 220 / 351 229 (24V DC) 25
		ASK 2 LD 351 310 / 351 319 (48V AC) 25
		ASK 2 LD 351 320 / 351 329 (48V DC) 25
		ASK 2 LD 351 510 / 351 519 (110V AC) 25
		ASK 2 LD 351 520 / 351 529 (110V DC) 25
		ASK 2 LD 351 610 / 351 619 (220V AC) 25
		ASK 2 LD 351 620 / 351 629 (220V DC) 25
Montaj Rayları / Mounting Rails		
MR 32	MR 35x7,5	MR 35x7,5
	MR 35x7,5 Delikli / Slotted	MR 35x15
		MR 35x15 Delikli / Slotted
DIN EN 50035	DIN EN 50022	DIN EN 50022
	MR 35x7,5	MR 35x7,5
	Delikli / Slotted	Delikli / Slotted
	MR 35x7,5	MR 35x7,5
	Delikli / Slotted	Delikli / Slotted
	MR 35x7,5	MR 35x7,5
	Delikli / Slotted	Delikli / Slotted
	MR 35x15	MR 35x15
	Delikli / Slotted	Delikli / Slotted
	MR 32	MR 32
Durdurucu / End Bracket		
Kalınlık / Thickness 8 mm		
	GRİ - GREY	GRİ - GREY
	GRİ - GREY	GRİ - GREY
	GRİ - GREY	GRİ - GREY
KD 3	KD 4	WGD1
Nihayet Plakası / End Plate		
Polyamide 6.6	Kalınlık / Thickness 1.5 mm.	
	GRİ / GREY	GRİ / GREY
	GRİ / GREY	GRİ / GREY
	GRİ / GREY	GRİ / GREY
NPP ASK 3	NPP ASK 2	NPP AVK 4 FS
Üst Köprü / Cross - Connection		
Sigorta Buşonu / Fuse Cartridges		
	5 x 20 mm.	MSB
	MSB	359 001
	10	MSB
	5 x 25 mm.	MSB
	MSB	359 002
	10	MSB
1 ..... 10 A	1 ..... 10 A	
Grup Etiketli / Group Marking		
	GRİ / GREY	GRİ / GREY
	GRİ / GREY	GRİ / GREY
GE	ME	
Klemens Etiketli / Marking Tags (Dekafix)		
Dekafix kullanımı için 62. sayfaya bakınız.		
See page 62. for the usage of dekafix.	DY 5	DY 5

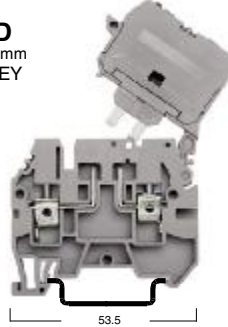
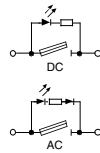
**ASK 3 M**

Kalınlık / Width 6 mm  
355 109 GRI/GREY



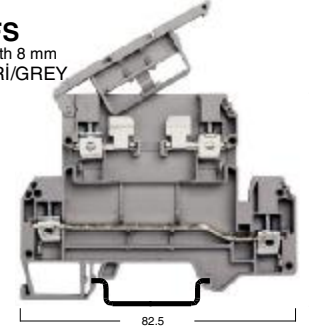
**ASK 3 MLD**

Kalınlık / Width 6 mm  
--- --9 GRI/GREY



**AVK 4 FS**

Kalınlık / Width 8 mm  
353 309 GRI/GREY



Sıkma Torkü / Torque: 0,5 Nm

Sıkma Torkü / Torque: 0,5 Nm

Sıkma Torkü / Torque: 0,8 Nm

ASK 3 M			ASK 3 MLD			AVK 4 FS		
Gerilim / Akım / Kesit / Voltage/Current/Cross-section			Gerilim / Akım / Kesit / Voltage/Current/Cross-section			Gerilim / Akım / Kesit / Voltage/Current/Cross-section		
500 V - / 10 A / 4 mm <sup>2</sup>			- V - / 10 A / 4 mm <sup>2</sup>			750 V - / 32 A / 4 mm <sup>2</sup>		
600 V - / 10 A / AWG 26-10			- V - / 10 A / AWG 26-10					
12 mm			12 mm			9 mm		
0,5 ..... 6 mm <sup>2</sup>			0,5 ..... 6 mm <sup>2</sup>			0,5 ..... 6 mm <sup>2</sup>		
1,5 ..... 4 mm <sup>2</sup>			1,5 ..... 4 mm <sup>2</sup>			1,5 ..... 4 mm <sup>2</sup>		
26 ..... 10			26 ..... 10			26 ..... 10		
Tip/Type	Sip.No./Cat.No.	Mik./Qty.	Tip/Type	Sip.No./Cat.No.	Mik./Qty.	Tip/Type	Sip.No./Cat.No.	Mik./Qty.
ASK 3 M	355 100 / 355 109	20	ASK 3 MLD	355 210 / 355 219 (24V AC)	20	AVK 4 FS	353 300	50
			ASK 3 MLD	355 220 / 355 229 (24V DC)	20	AVK 4 FS	353 309	50
			ASK 3 MLD	355 310 / 355 319 (48V AC)	20			
			ASK 3 MLD	355 320 / 355 329 (48V DC)	20			
			ASK 3 MLD	355 510 / 355 519 (110V AC)	20			
			ASK 3 MLD	355 520 / 355 529 (110V DC)	20			
			ASK 3 MLD	355 610 / 355 619 (220V AC)	20			
			ASK 3 MLD	355 620 / 355 629 (220V DC)	20			
Tip/Type	Sip.No./Cat.No.	Mik./Qty.	Tip/Type	Sip.No./Cat.No.	Mik./Qty.	Tip/Type	Sip.No./Cat.No.	Mik./Qty.
MR 35x7.5	500 601	1 m	MR 35x7.5	500 601	1 m	MR 35x7.5	500 601	1 m
Delikli / Slotted	500 602	1 m	Delikli / Slotted	500 602	1 m	Delikli / Slotted	500 602	1 m
MR 35x7.5	500 603	2 m	MR 35x7.5	500 603	2 m	MR 35x7.5	500 603	2 m
Delikli / Slotted	500 604	2 m	Delikli / Slotted	500 604	2 m	Delikli / Slotted	500 604	2 m
MR 35x7.5	500 605	30 cm	MR 35x7.5	500 605	30 cm	MR 35x7.5	500 605	30 cm
MR 35x15	500 606	1 m	MR 35x15	500 606	1 m	MR 35x15	500 606	1 m
Delikli / Slotted	500 607	1 m	Delikli / Slotted	500 607	1 m	Delikli / Slotted	500 607	1 m
Tip/Type	Sip.No./Cat.No.	Mik./Qty.	Tip/Type	Sip.No./Cat.No.	Mik./Qty.	Tip/Type	Sip.No./Cat.No.	Mik./Qty.
KD 3	495 049	100	KD 3	495 049	100	KD 3	495 049	100
KD 4	495 059	100	KD 4	495 059	100	KD 4	495 059	100
Tip/Type	Sip.No./Cat.No.	Mik./Qty.	Tip/Type	Sip.No./Cat.No.	Mik./Qty.	Tip/Type	Sip.No./Cat.No.	Mik./Qty.
NPP ASK 3	450 059	10	NPP ASK 3	450 059	10	NPP AVK 4 FS	450 209	10
Tip/Type	Sip.No./Cat.No.	Mik./Qty.	Tip/Type	Sip.No./Cat.No.	Mik./Qty.	Tip/Type	Sip.No./Cat.No.	Mik./Qty.
UK 4/2	476 232	25	UK 4/2	476 232	25	UK 6/2	476 242	25
UK 4/3	476 233	20	UK 4/3	476 233	20	UK 6/3	476 243	20
UK 4/4	476 234	15	UK 4/4	476 234	15	UK 6/4	476 244	15
UK 4/10	476 239	5	UK 4/10	476 239	5	UK 6/10	476 249	5
Tip/Type	Sip.No./Cat.No.	Mik./Qty.	Tip/Type	Sip.No./Cat.No.	Mik./Qty.	Tip/Type	Sip.No./Cat.No.	Mik./Qty.
MSB	359 001	10	MSB	359 001	10	MSB	359 001	10
MSB	359 002	10	MSB	359 002	10	MSB	359 002	10
Tip/Type	Sip.No./Cat.No.	Mik./Qty.	Tip/Type	Sip.No./Cat.No.	Mik./Qty.	Tip/Type	Sip.No./Cat.No.	Mik./Qty.
GE	496 119	50	GE	496 119	50	GE	496 119	50
ME	496 139	25	ME	496 139	25	ME	496 139	25
Tip/Type	Sip.No./Cat.No.	Mik./Qty.	Tip/Type	Sip.No./Cat.No.	Mik./Qty.	Tip/Type	Sip.No./Cat.No.	Mik./Qty.
DY 5 DB 10/5 DB 10/6 DG 6/5 DG 10/5 DG 10/6			DY 5 DB 10/5 DB 10/6 DG 6/5 DG 10/5 DG 10/6			DY 5		

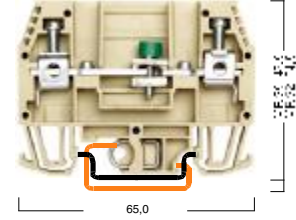




## Ölçme / Ayırma Klemensleri Test / Disconnect Terminals

### WGO 1

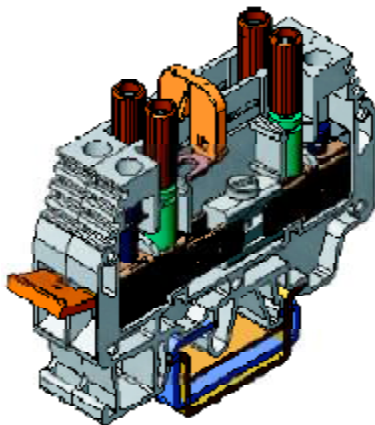
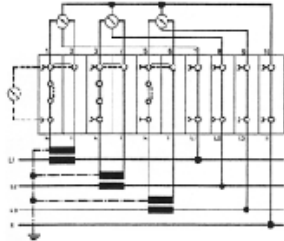
Kalınlık / Width 8 mm  
--- --0 BEJ / BEIGE



Sıkma Torku / Torque: 0,8 Nm

Ölçme ve Ayırma klemensleri kısaca sistemde enerji varken gerekli ölçümleri yapabilmek amacı ile kullanılırlar. Bu klemensler panolarda bulunan akım trafolarının çıkışlarına takılmaktadır. Klemenslerin diğer çıkışları ise ölçü aletlerine gitmektedir. Bu klemensler kullanılarak akım trafolarının sekonder uçları kısa devre yapılarak sistemdeki ampermetreler sökülüp değiştirilebilir veya ampermetreleri sökmeden doğru ölçüm yapıp yapmadıklarını test etmek mümkün olur. Klemsan'ın yeni nesil Ölçme ve Ayırma klemensleri olan WGO 3 ve WGO 4 ürünlerinde ise kayar köprü temas yüzeyleri 10 kat artırılmıştır. Hareketli üst köprü sistemi ve izolasyonlu test kovani sayesinde güvenli ve pratiklerdir. Açık konumda olan üst köprü, tırnaklar yardımı ile titreşimlerde yerinden oynamamaktadırlar. Ayrıca üst köprünün hareketli olmasından dolayı kısa devre yapmak kolaydır. WGO 3 ve WGO 4 ürünlerinde tarak köprü kullanılabilmektedir.

Test/Disconnect terminal blocks are used to perform required tests without switching off the power in the system. These products are installed at the secondary side of current transformers, and thus, electrical ratings can be observed by testing equipment connected to the product. In addition, it is possible to perform all required tests without disconnecting the ammeter. In order to change a defected ammeter, secondary side of the transformer is short-circuited, and afterwards, the ammeter is disconnected securely. In the new generation test/disconnect terminal blocks named WGO 3 and WGO 4, the connection surface area of the sliding bridge has been increased by 10 times. Thanks to the sliding bridge and insulated test socket, the component is safe and functional, and short circuiting is easy. Another advantage of these new products is that the sliding bridge remains concrete due to bridge holder pins. Comb connectors can also be used with WGO 3 and WGO 4.



#### Anma Değerleri / Electrical Ratings

TSE / CE (EN 60947-7-1)  
UL / CSA

Kablo Soyma Boyu / Insulation Stripping Length

12 mm

#### Bağlantı Bilgileri / Connection Data

Tekli İletken, Vida Bağlantılı / Solid Strand, Screw Connection

0,5 ..... 10 mm<sup>2</sup>

Çoklu İletken, Vida bağlantılı / Fine Strand, Screw Connection

1,5 ..... 6 mm<sup>2</sup>

AWG İletken / AWG Conductor

20 ..... 8

#### Sipariş Bilgileri / Ordering Data

Tip/Type	Sip.No./Cat.No.	Mik./Qty.
Polyamid 6.6		
Kovansız / Without Test Socket	BEJ / BEIGE	WGO 1 370 500 20
Tek Kovanlı / Test Socket	BEJ / BEIGE	WGO 1 370 501 20
Çift Kovanlı / Double Test Socket	BEJ / BEIGE	WGO 1 370 502 20
Kovansız / Without Test Socket	GRI / GREY	WGO 1 370 590 20
Tek Kovanlı / Test Socket	GRI / GREY	WGO 1 370 591 20
Çift Kovanlı / Double Test Socket	GRI / GREY	WGO 1 370 592 20

#### Montaj Rayları / Mounting Rails

Tip/Type	Sip.No./Cat.No.	Mik./Qty.
MR 35x7,5	500 601	1 m
MR 35x7,5 Delikli / Slotted	500 602	1 m
MR 32	500 603	2 m
MR 35x15	500 604	2 m
MR 35x15 Delikli / Slotted	500 605	30 cm
MR 35x7,5	500 606	1 m
MR 35x15	500 607	1 m
Delikli / Slotted	500 101	1 m
MR 32	500 101	1 m

#### Durdurucu / End Bracket

Tip/Type	Sip.No./Cat.No.	Mik./Qty.
Kalınlık / Thickness 8 mm		
WGD 1	495 030	100
BEJ/BEIGE - GRI / GREY	KD 3	495 040 / 495 049 100
BEJ/BEIGE - GRI / GREY	WGD1	495 050 / 495 059 100

#### Nihayet Plakası / End Plate

Tip/Type	Sip.No./Cat.No.	Mik./Qty.
BEJ - BEIGE	NPP-WGO 1-2	450 100 5
GRI - GREY	NPP-WGO 1-2	450 109 5

#### Ayırma Dili / Small Partition

Tip/Type	Sip.No./Cat.No.	Mik./Qty.
BEJ - BEIGE	AD 2	467 950 100
GRI - GREY	AD 2	467 959 100

#### Üst Köprü / Cross - Connection

Tip/Type	Sip.No./Cat.No.	Mik./Qty.
UK 6/2	480 182	10
UK 6/3	480 183	10
UK 6/4	480 184	10
UK 6/10	480 189	5

#### Tarak Köprü / Xxxx Xxxx

Tip/Type	Sip.No./Cat.No.	Mik./Qty.
TKO 6/2	476 282	25
TKO 6/3	476 283	20
TKO 6/4	476 284	15
TKO 6/10	476 289	5

#### Çengelli Köprü / Switchable Cross-Con. Links.

Tip/Type	Sip.No./Cat.No.	Mik./Qty.
CK 6	485 506	10

#### Test Fişi ve Kovani / Test Plug and Socket

Tip/Type	Sip.No./Cat.No.	Mik./Qty.
ITK 32	492 020	5
TSK 6	490 060	5

#### Grup Etiket / Group Marking

Tip/Type	Sip.No./Cat.No.	Mik./Qty.
GE	496 110 / 496 119	50
ME	496 130 / 496 139	25

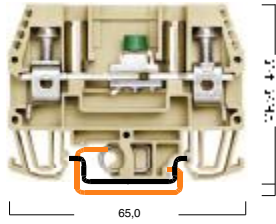
#### Klemens Etiket / Marking Tags (Dekafix)

Tip/Type	Sip.No./Cat.No.	Mik./Qty.
DY 5 DB 10/5 DB 10/6 DB 10/6,5 DG 6/5 DG 10/5		
DG 10/6		

See page 62. for the usage of dekafix.

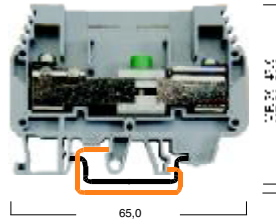
**WGO 2**

Kalınlık / Width 10 mm  
--- --0 BEJ / BEIGE



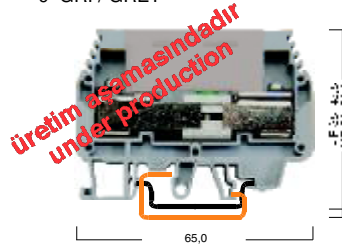
**WGO 3**

Kalınlık / Width 8 mm  
--- --9 GRI / GREY



**WGO 4**

Kalınlık / Width 10 mm  
--- --9 GRI / GREY



Sıkma Torku / Torque: 1,2 Nm

Sıkma Torku / Torque: 0,8 Nm

Sıkma Torku / Torque: 1,2 Nm

Gerilim / Akım / Kesit / Voltage/Current/Cross-section			Gerilim / Akım / Kesit / Voltage/Current/Cross-section			Gerilim / Akım / Kesit / Voltage/Current/Cross-section		
380 V - / 57 A / 10 mm <sup>2</sup>			400 V - / 41 A / 6 mm <sup>2</sup>			500 V - / 57 A / 10 mm <sup>2</sup>		
600 V - / 50 A / AWG 16-8								
12 mm			10 mm			10 mm		
0,5 ..... 16 mm <sup>2</sup>			0,5 ..... 10 mm			0,5 ..... 16 mm		
1,5 ..... 10 mm <sup>2</sup>			1,5 ..... 6 mm			1,5 ..... 10 mm		
16 ..... 8			20 ..... 8			16 ..... 8		
Tip/Type	Sip.No./Cat.No.	Mik./Qty.	Tip/Type	Sip.No./Cat.No.	Mik./Qty.	Tip/Type	Sip.No./Cat.No.	Mik./Qty.
WGO 2	375 500	20	WGO 3	375 600	20	WGO 4	375 700	20
WGO 2	375 501	20	WGO 3	375 601	20	WGO 4	375 701	20
WGO 2	375 502	20	WGO 3	375 602	20	WGO 4	375 702	20
WGO 2	375 590	20	WGO 3	375 690	20	WGO 4	375 790	20
WGO 2	375 591	20	WGO 3	375 691	20	WGO 4	375 791	20
WGO 2	375 592	20	WGO 3	375 692	20	WGO 4	375 792	20
Tip/Type	Sip.No./Cat.No.	Mik./Qty.	Tip/Type	Sip.No./Cat.No.	Mik./Qty.	Tip/Type	Sip.No./Cat.No.	Mik./Qty.
MR 35x7.5	500 601	1 m	MR 35x7.5	500 601	1 m	MR 35x7.5	500 601	1 m
Delikli / Slotted	500 602	1 m	Delikli / Slotted	500 602	1 m	Delikli / Slotted	500 602	1 m
MR 35x7.5	500 603	2 m	MR 35x7.5	500 603	2 m	MR 35x7.5	500 603	2 m
Delikli / Slotted	500 604	2 m	Delikli / Slotted	500 604	2 m	Delikli / Slotted	500 604	2 m
MR 35x7.5	500 605	30 cm	MR 35x7.5	500 605	30 cm	MR 35x7.5	500 605	30 cm
MR 35x15	500 606	1 m	MR 35x15	500 606	1 m	MR 35x15	500 606	1 m
Delikli / Slotted	500 607	1 m	Delikli / Slotted	500 607	1 m	Delikli / Slotted	500 607	1 m
MR 32	500 101	1 m	MR 32	500 101	1 m	MR 32	500 101	1 m
Tip/Type	Sip.No./Cat.No.	Mik./Qty.	Tip/Type	Sip.No./Cat.No.	Mik./Qty.	Tip/Type	Sip.No./Cat.No.	Mik./Qty.
WGD 1	495 030	100						
KD 3	495 040 / 495 049	100	KD 3	495 040 / 495 049	100	KD 3	495 040 / 495 049	100
KD 4	495 050 / 495 059	100	KD 4	495 050 / 495 059	100	KD 4	495 050 / 495 059	100
Tip/Type	Sip.No./Cat.No.	Mik./Qty.	Tip/Type	Sip.No./Cat.No.	Mik./Qty.	Tip/Type	Sip.No./Cat.No.	Mik./Qty.
NPP-WGO 1-2	450 100	5	NPP-WGO 3-4	450 100	5	NPP-WGO 3-4	450 100	5
NPP-WGO 1-2	450 109	5	NPP-WGO 3-4	450 109	5	NPP-WGO 3-4	450 109	5
Tip/Type	Sip.No./Cat.No.	Mik./Qty.	Tip/Type	Sip.No./Cat.No.	Mik./Qty.	Tip/Type	Sip.No./Cat.No.	Mik./Qty.
AD 2	467 950	100						
AD 2	467 959	100						
Tip/Type	Sip.No./Cat.No.	Mik./Qty.	Tip/Type	Sip.No./Cat.No.	Mik./Qty.	Tip/Type	Sip.No./Cat.No.	Mik./Qty.
UK 10/2	480 172	10						
UK 10/3	480 173	10						
UK 10/4	480 174	10						
UK 10/10	480 179	5						
Tip/Type	Sip.No./Cat.No.	Mik./Qty.	Tip/Type	Sip.No./Cat.No.	Mik./Qty.	Tip/Type	Sip.No./Cat.No.	Mik./Qty.
TKO 10/2	476 292	25	TKO 6/2	476 282	25	TKO 10/2	476 292	25
TKO 10/3	476 293	20	TKO 6/3	476 283	20	TKO 10/3	476 293	20
TKO 10/4	476 294	15	TKO 6/4	476 284	15	TKO 10/4	476 294	15
TKO 10/10	476 299	5	TKO 6/10	476 289	5	TKO 10/10	476 299	5
Tip/Type	Sip.No./Cat.No.	Mik./Qty.	Tip/Type	Sip.No./Cat.No.	Mik./Qty.	Tip/Type	Sip.No./Cat.No.	Mik./Qty.
CK 10	485 510	10						
Tip/Type	Sip.No./Cat.No.	Mik./Qty.	Tip/Type	Sip.No./Cat.No.	Mik./Qty.	Tip/Type	Sip.No./Cat.No.	Mik./Qty.
ITK 35	492 030	5						
TSK 6	490 060	5						
TF 4	493 040	5	TF 4	493 040	5	TF 4	493 040	5
Tip/Type	Sip.No./Cat.No.	Mik./Qty.	Tip/Type	Sip.No./Cat.No.	Mik./Qty.	Tip/Type	Sip.No./Cat.No.	Mik./Qty.
GE	496 110 / 496 119	50	GE	496 110 / 496 119	50	GE	496 110 / 496 119	50
ME	496 130 / 496 139	25	ME	496 130 / 496 139	25	ME	496 130 / 496 139	25
DY 5 DB 10/5 DB 10/6 DB 10/6,5 DG 6/5 DG 10/5			DY 5 DB 10/5 DB 10/6 DB 10/6,5 DG 6/5 DG 10/5			DY 5 DB 10/5 DB 10/6 DB 10/6,5 DG 6/5 DG 10/5		
DG 10/6			DG 10/6			DG 10/6		